



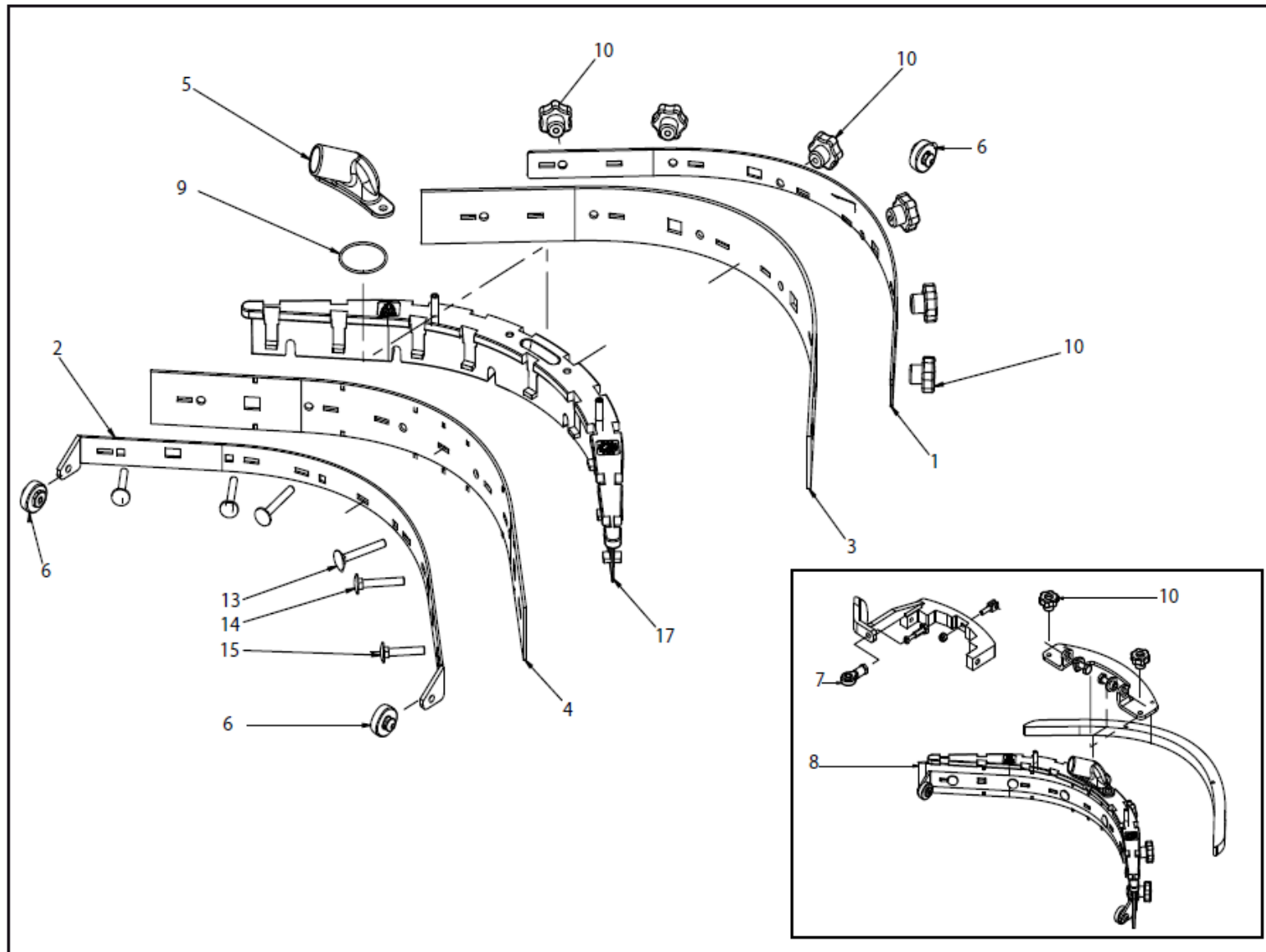
Ersatzteilliste

NANOScrub E 36 – 230 V

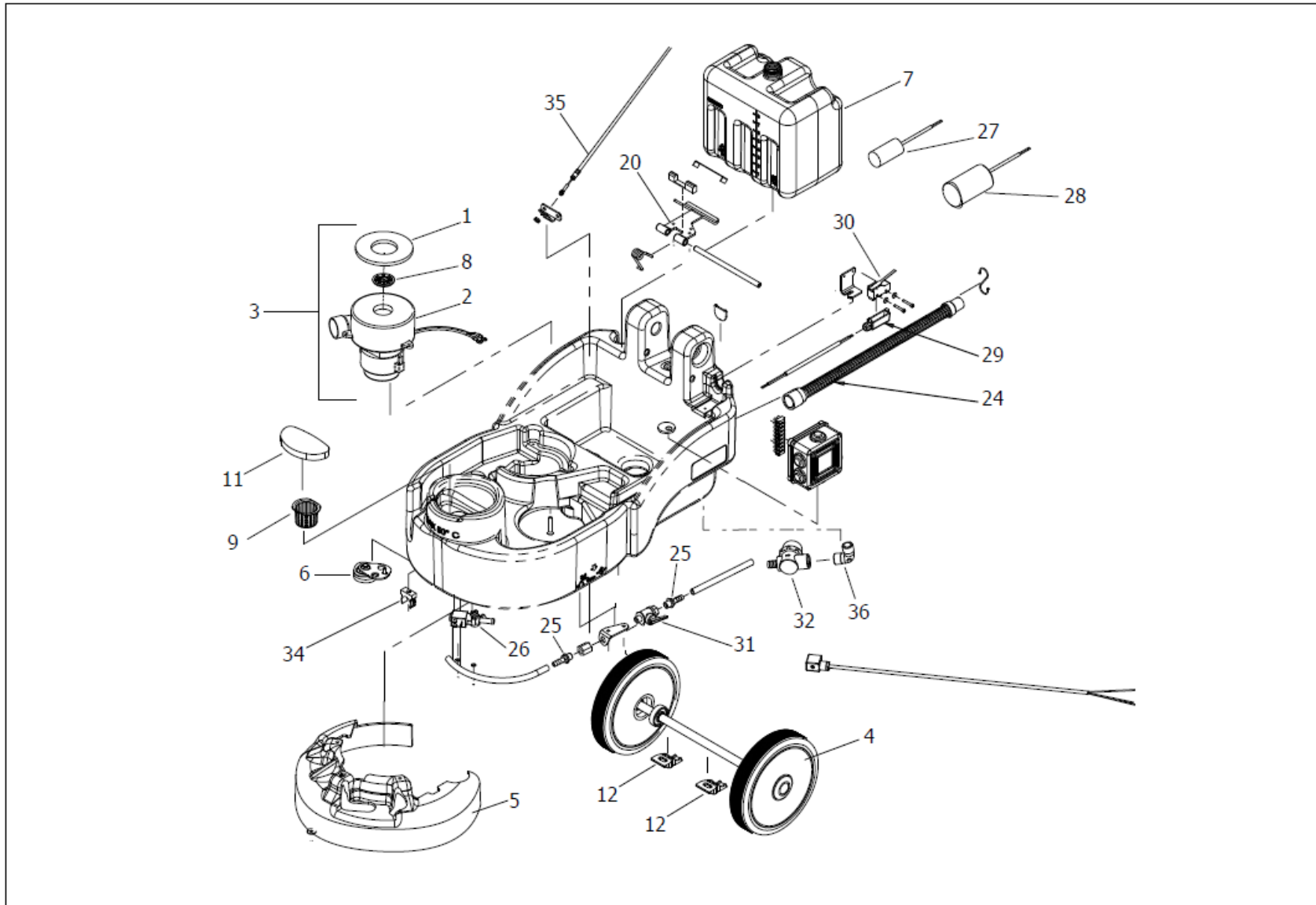


890760.000000

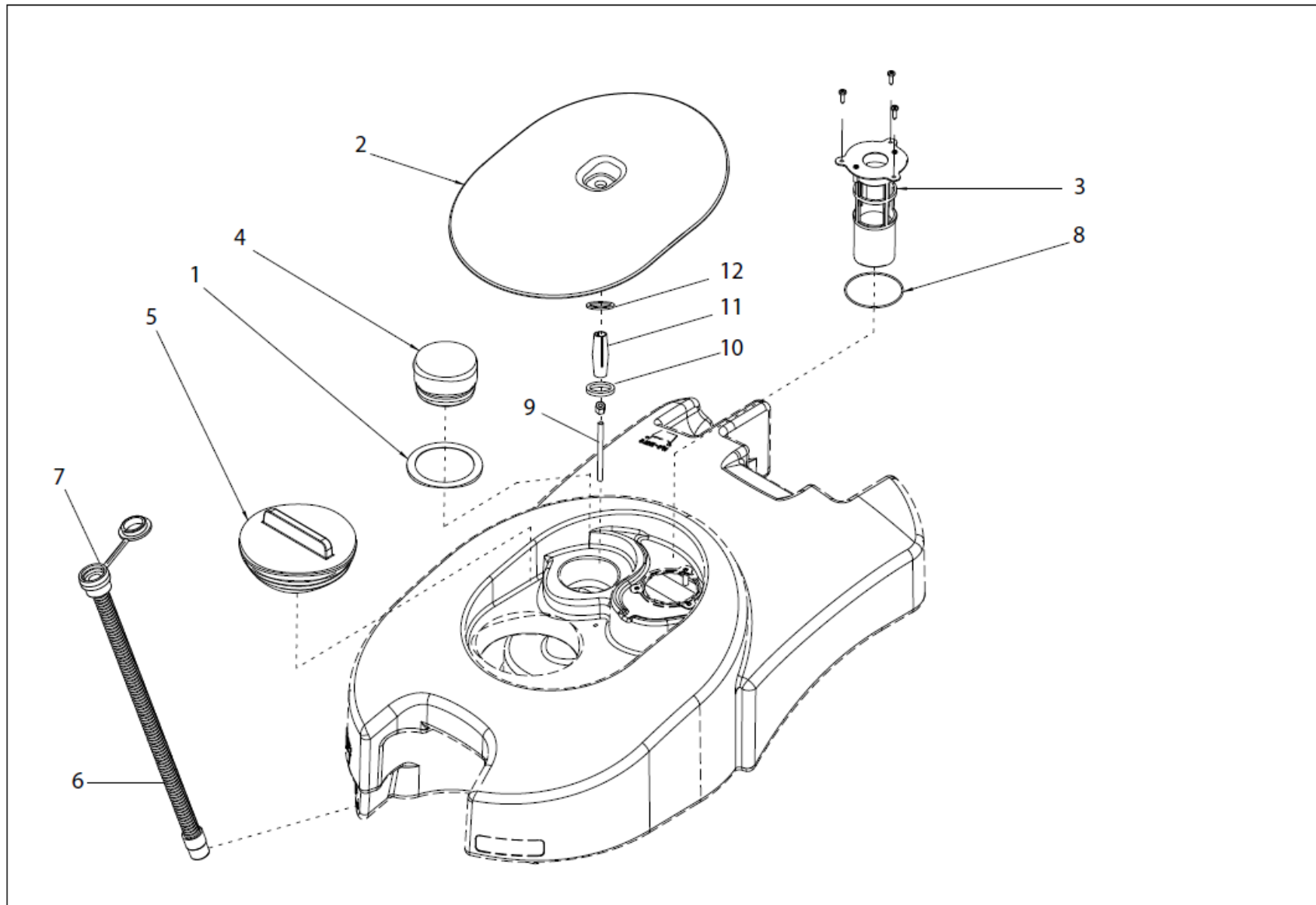




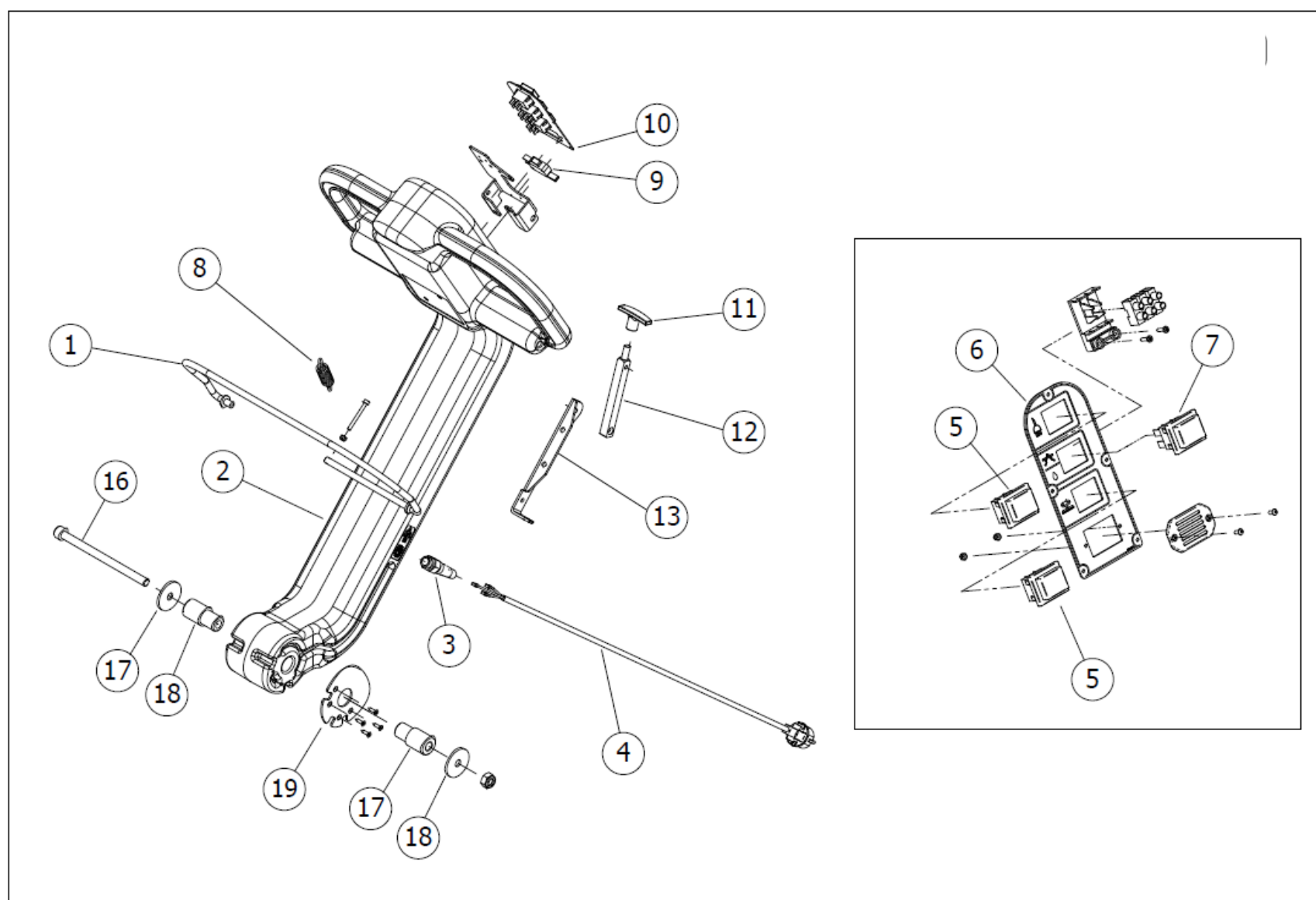
| Pos.-Nr. | Artikel-Nr./Part-No. | Bezeichnung | Name |
|----------|----------------------|-------------------------------|---------------------------------------|
| 1 | 891760.004001 | Sauglippenhalterung, hinten | REAR SQUEEGEE BLADE HOLDER PLATE |
| 2 | 891760.004002 | Sauglippenhalterung, vorne | FRONT SQUEEGEE BLADE HOLDER PLATE |
| 3 | 891760.004003 | Sauglippe, hinten (Gummi) | REAR SQUEEGEE BLADE (NATURAL RUBBER) |
| 4 | 891760.004004 | Sauglippe, vorne (Gummi) | FRONT SQUEEGEE BLADE (NATURAL RUBBER) |
| 5 | 891761.016005 | Vakuumananschluss | VACCUM RACCORD |
| 6 | 891760.004006 | Saugfußrollen, 3-teilig | SQUEEGEE WHEEL KIT |
| 7 | 891761.016007 | Kugelanschluss | SPHERE CONNECTION |
| 8 | 891760.004008 | Saugfußhalterung | SQUEEGEE ASSEMBLY |
| 9 | 891760.004009 | O-Ring | O-RING |
| 10 | 891760.004010 | Knebelmutter mit Innengewinde | KNOB M6 (THREADED PASS-THROUGH HOLE) |
| 13 | 891760.004013 | Schraube M6 x 45 | SCREW M6 X 45 |
| 14 | 891760.004014 | Schrauben M6 x 40 | SCREW M6 X 40 |
| 15 | 891760.004015 | Schrauben M6 x 35 | SCREW M6 X 35 |
| 17 | 891760.004017 | Saugfußhalterung | SQUEEGEE ASSEMBLY |



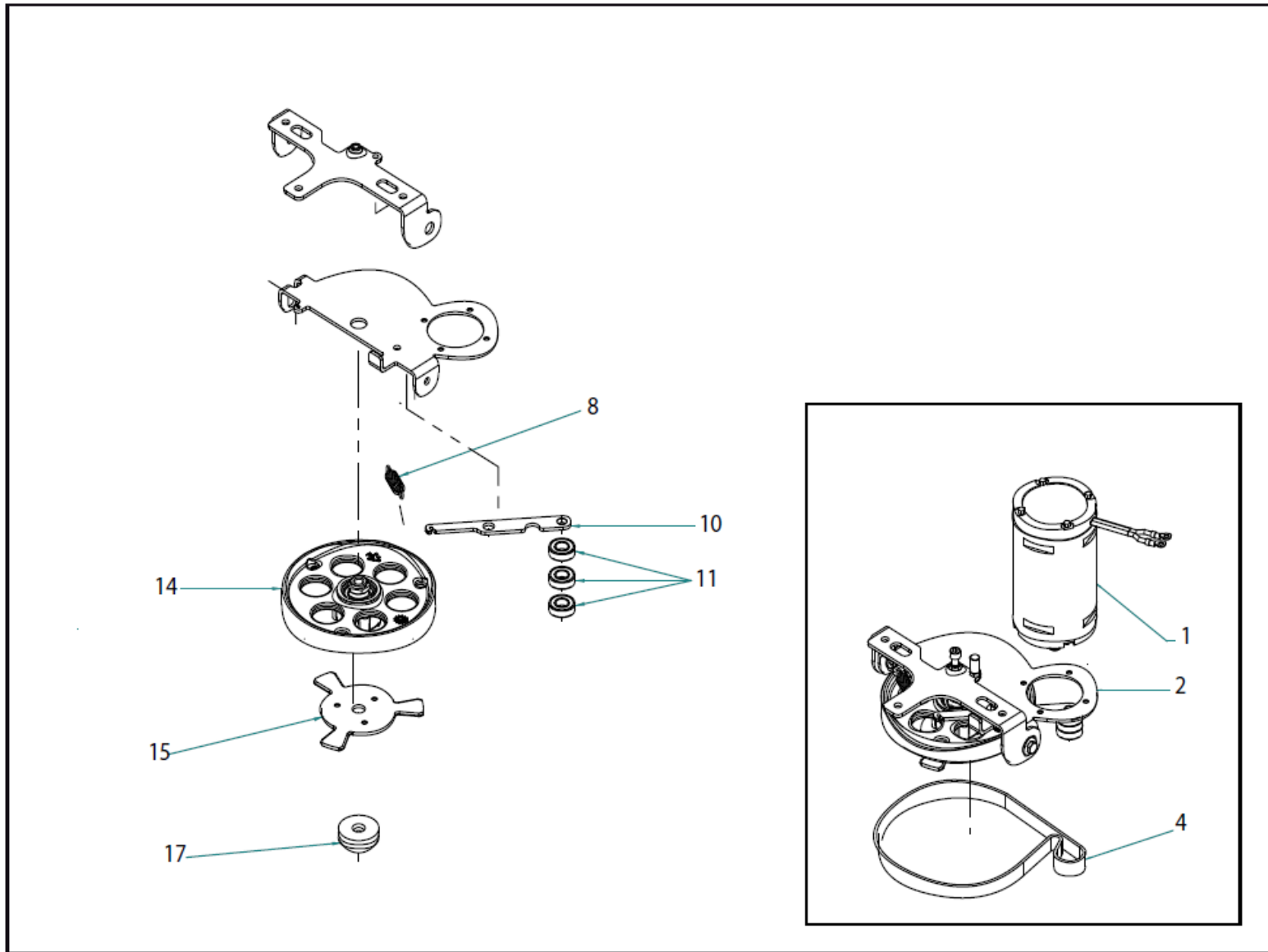
| Pos.-Nr. | Artikel-Nr./Part-No. | Bezeichnung | Name |
|----------|----------------------|--|------------------------------------|
| 1 | 891761.008004 | Dichtung Saugmotor | SUCTION MOTOR GASKET |
| 2 | 891760.006002 | Saugmotor 220 - 240 V / 330 W | VACCUM MOTOR 220-240V 50/60Hz 330W |
| 3 | 891760.006003 | Saugmotoren-Set, komplett | VACCUM MOTOR ASSEMBLY |
| 4 | 891761.008003 | Radwellen Baugruppe | WHEEL SHAFT ASSEMBLY |
| 5 | 891761.008005 | Bürstengehäuse | BRUSH CARTER |
| 6 | 891761.008002 | Radfederung, komplett | BUMPER WHEEL SUPPORT COMPLETE |
| 7 | 891760.006007 | Gewicht | BALLAST |
| 8 | 891760.006008 | Motor-Schutz | PROTECTION |
| 9 | 891760.006009 | Filter Reinigungsmittel tank | DETERGENT TANK FILTER |
| 11 | 891760.006011 | Schaumstoff-Filter | SPONGE FILTER |
| 12 | 891760.006012 | Radachsen-Fixierung | FIXING WHEEL AXLE |
| 20 | 891761.008030 | Griffverriegelungspedal | HANDLE LOCK PEDAL |
| 24 | 891761.008021 | Saugschlauch | VAC HOSE |
| 25 | 891761.008025 | Schraubstutzen | HOSE FITTING UNION G1/4 D10 |
| 26 | 891760.008023 | Magnetventil | SOLENOID VALVE |
| 27 | 891760.006027 | Kondensator | CAPACITOR 12,5mF 425V |
| 28 | 891760.006028 | Kondensator | CAPACITOR 040mF 220/240V D.50 x 95 |
| 29 | 891760.006029 | Anschlusssicherung | CONNECTION PROTECTION |
| 30 | 891760.006030 | Mikroschalter | MICROSWITCH |
| 31 | 891761.008024 | Ventil | VALVE |
| 32 | 891761.008032 | Wasserfilter | WATER FILTER 1/2G D.13 |
| 34 | 891761.008027 | Clip | CLIPS |
| 35 | 891761.008028 | Kabel, komplett - für Hebevorrichtung Sauglippen | SQUEEGEE LIFT CABLE COMPLETE |
| 36 | 891760.006036 | Winkelstück | ELBOW |



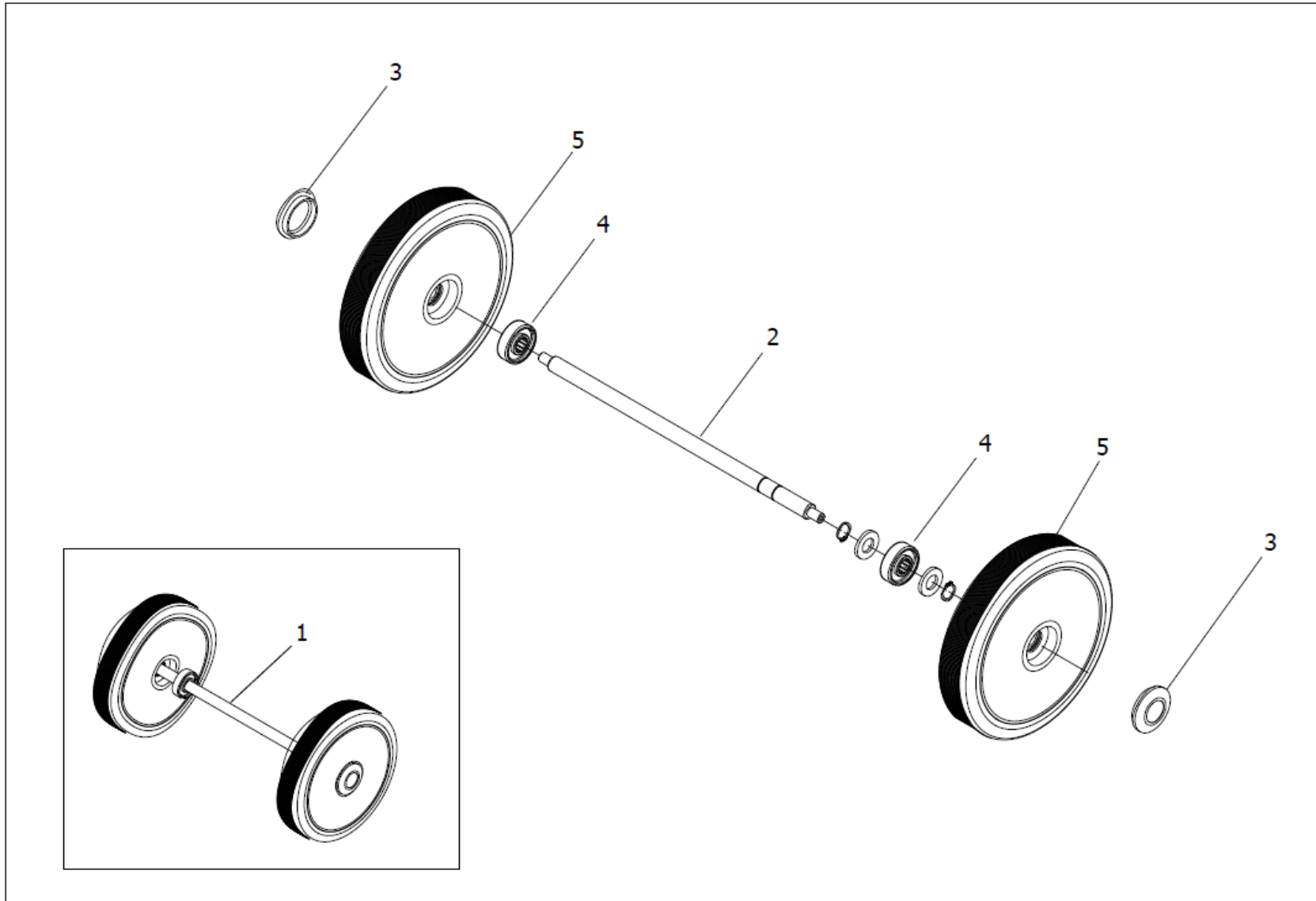
| Pos.-Nr. | Artikel-Nr./Part-No. | Bezeichnung | Name |
|----------|----------------------|-----------------------------|-------------------------------|
| 1 | 891761.014001 | Aufkleber für Saugmotorraum | STICKER FOR SUCTION MOTOR |
| 2 | 891761.014002 | Abdeckhaube | VACCUM COVER ASSEMBLY |
| 3 | 891761.014003 | Schwimmer | FLOAT ASSEMBLY |
| 4 | 891761.014004 | Filtereinsatz | KIT FILTRE |
| 5 | 891761.014005 | Deckel für Frischwassertank | RECOVERY TANK CAP ASSEMBLY |
| 6 | 891761.014006 | Ablassschlauch ohne Deckel | EXHAUST PIPE |
| 7 | 891760.008007 | Deckel für Ablassschlauch | CAP DIAM. 32 mm |
| 8 | 891761.014008 | Dichtung | OR GASKET 64,39X1,78 NBR SH70 |
| 9 | 891761.014009 | Gewindestange M6 x 60 | THREADED BAR M6X60 |
| 10 | 891761.014010 | Unterlegscheibe | SPACER FOR COVER |
| 11 | 891761.014011 | Einsatz für Abdeckung | INSERT |
| 12 | 891761.014012 | Dichtungsring | RING FOR COVER |



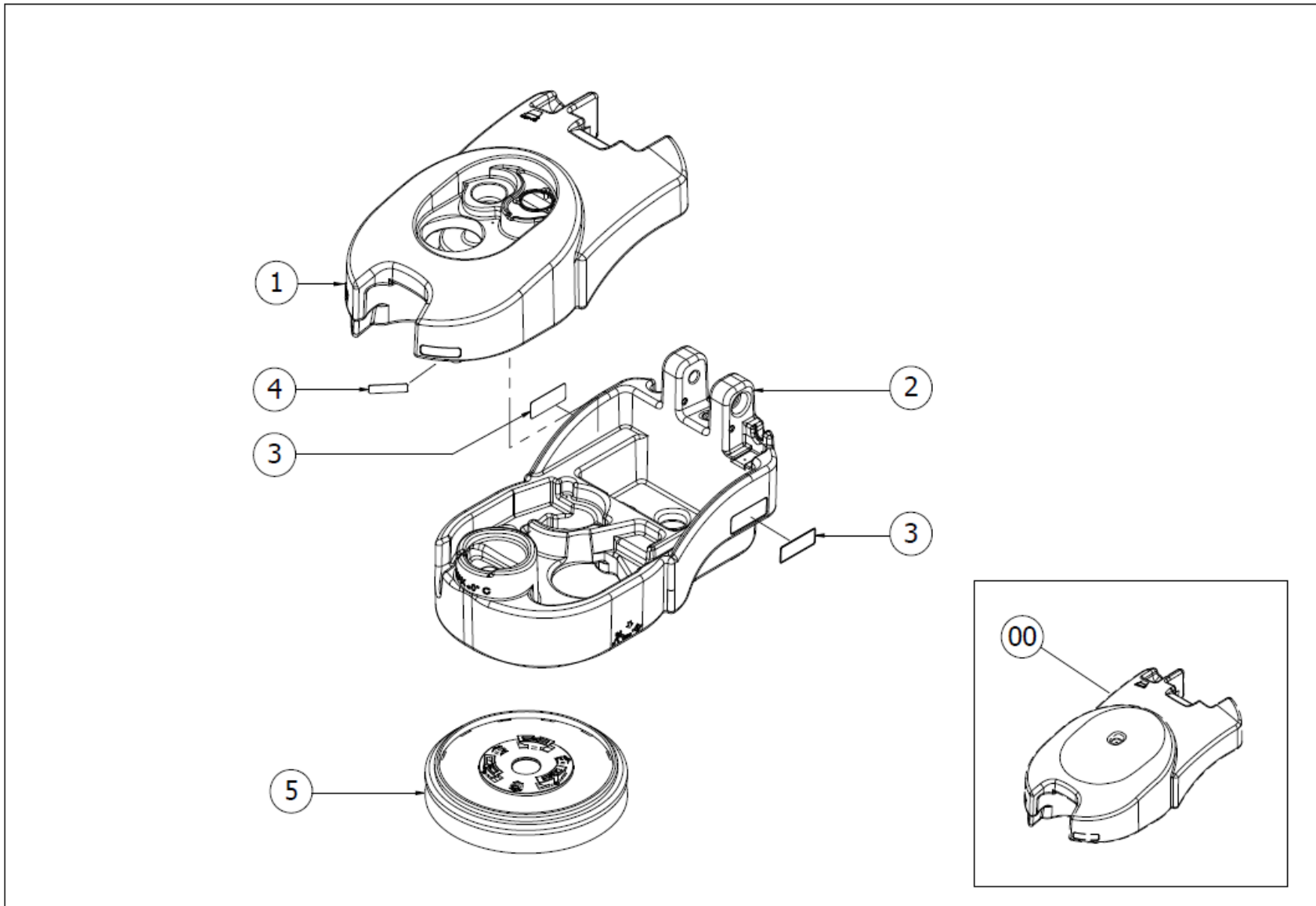
| Pos.-Nr. | Artikel-Nr./Part-No. | Bezeichnung | Name |
|----------|----------------------|---|--|
| 1 | 891761.020001 | Führungshebel | COMMAND LEVER |
| 2 | 891761.020002 | Griff | HANDLE |
| 3 | 891760.010003 | Kabelschuh | CABLE TERMINAL |
| 4 | 891760.010004 | Netzkabel mit Schuko-Stecker, 1 m | MAIN POWER CABLE L=1 MT WITH SCHUKO PLUG |
| 5 | 891760.010005 | Schalter mit Schutzvorrichtung | RED BACKLIGHTED SWITCH WITH PR OTECTOR |
| 6 | 891760.010006 | Kontrollpaneel | DASH BOARD |
| 7 | 891760.010007 | Doppelschalter mit Schutzfunktion | RED BACKLIGHTED DOUBLE SWITCH WITH PROTECTOR |
| 8 | 891761.020008 | Feder | SPRING |
| 9 | 891761.020009 | Mikroschalter mit Hebel | MICROSWITCH WITH LEVER |
| 10 | 891761.020010 | Armaturen Brett, komplett mit Verkabelung | DASHBOARD COMPLETE WITH WIRING |
| 11 | 891761.020011 | Zuganker | TIE ROD |
| 12 | 891760.010012 | Führungshebel | COMMAND LEVER |
| 13 | 891761.020012 | Halteung für Sauglippen-Hebel | SQUEEGEE LEVER SUPPORT |
| 16 | 891761.020007 | Schraube 10 x 150 | SCREW 10 X 150 |
| 17 | 891761.020006 | Unterlegscheibe D.10 x 40 x 2,5 | PLAIN WASHER D.10X40X2.5 INOX UNI6593 |
| 18 | 891761.020005 | Unterlegscheibe zur Griffbefestigung | HANDLE FIXING WASHER |
| 19 | 891761.020004 | Anschlagbuchse | STOP BUSH |



| Pos.-Nr. | Artikel-Nr./Part-No. | Bezeichnung | Name |
|----------|----------------------|--------------------------------------|----------------------------------|
| 1 | 891760.012001 | Bürstenmotor | BRUSH MOTOR |
| 2 | 891760.012002 | Bürstenhalterung, komplett | BRUSH PLATE COMPLETE |
| 4 | 891761.006004 | Bürstenantriebsriemen | BRUSH BELT |
| 8 | 891761.006005 | Feder | SPRING |
| 10 | 891761.006006 | Hebel | BELT LEVER |
| 11 | 891761.006007 | Lager | BEARING 6002 2RS1 |
| 14 | 891761.006008 | Riemenscheibe mit integriertem Lager | PULLEY ASSEMBLY |
| 15 | 891760.012015 | Antriebsflansch | BRUSH COUPLING |
| 17 | 891760.012016 | Antriebsflansch Zentrierung | BRUSH COUPLING CENTERING BUSHING |



| Pos.-Nr. | Artikel-Nr./Part-No. | Bezeichnung | Name |
|----------|----------------------|--------------------|----------------------------|
| 1 | 891761.008003 | Radwelle Baugruppe | WHEEL SHAFT ASSEMBLY |
| 2 | 891761.012002 | Radwelle | WHEEL SHAFT |
| 3 | 891760.014003 | Radkappe, grau | CAP FOR WHEEL - GREY |
| 4 | 891760.014004 | Achsträger | AXLE SUPPORT |
| 5 | 891761.012001 | Räder, Ø = 210 mm | LOOSE WHEEL D=210 L=42 D10 |



| Pos.-Nr. | Artikel-Nr./Part-No. | Bezeichnung | Name |
|----------|----------------------|---------------------------------|-------------------------------|
| 0 | 891760.016000 | Ersatzteilset Schmutzwassertank | RECOVERY TANK REPLACEMENT KIT |
| 1 | 891761.004001 | Schmutzwassertank | RECOVERY WATER TANK |
| 2 | 891761.004002 | Laugentank | SOLUTION WATER TANK |
| 3 | 891760.016003 | Sticker Laugentank | STICKER |
| 4 | 891760.016004 | Sticker Schmutzwassertank | STICKER |
| 5 | 891761.004003 | Bürstenhalterung, komplett | BRUSH ASSEMBLY COMPLETE |